

SOLUTIONS@SOURCE

Home Textiles Guidelines



GEN-HOMETEX_V01_100910

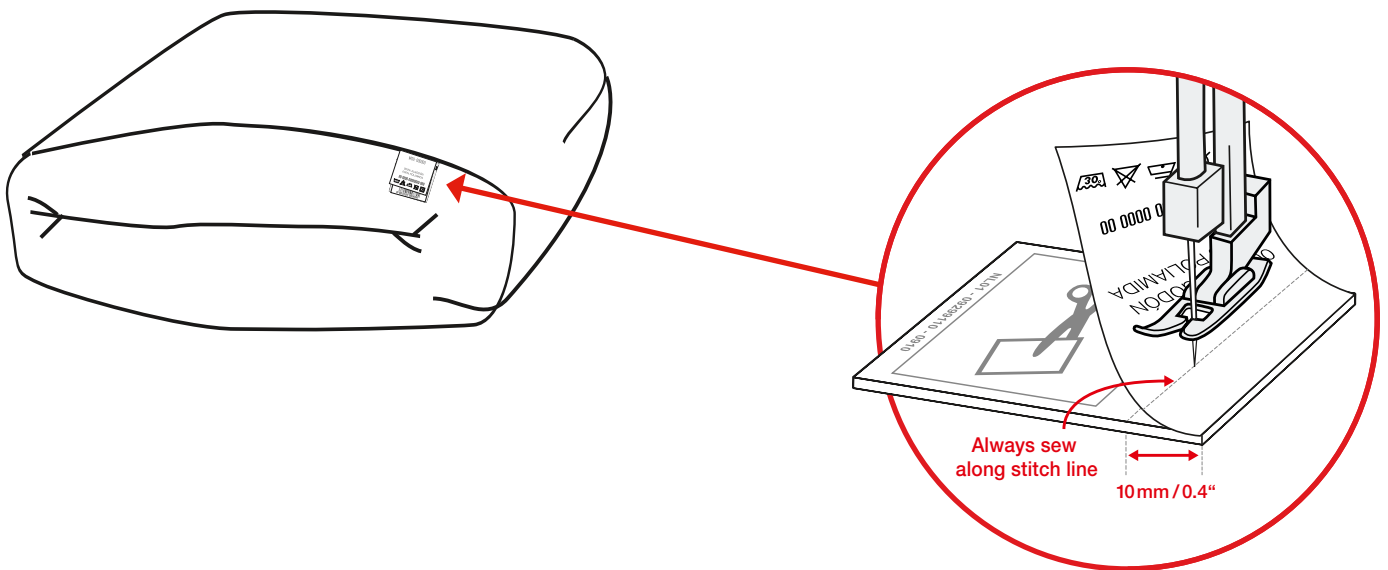


DUVETS

POCKET TAG

For the protection of duvet covers, pillows, duvets and similar products the RF circuit can be stitched inside the product, completely hiding it from view.

Pocket Tags should be sewn in together with the care label.



This technique should only be used for large home textile products designed by their nature to stay in the home.

For any questions regarding this or any other labelling process contact your local Checkpoint representative.

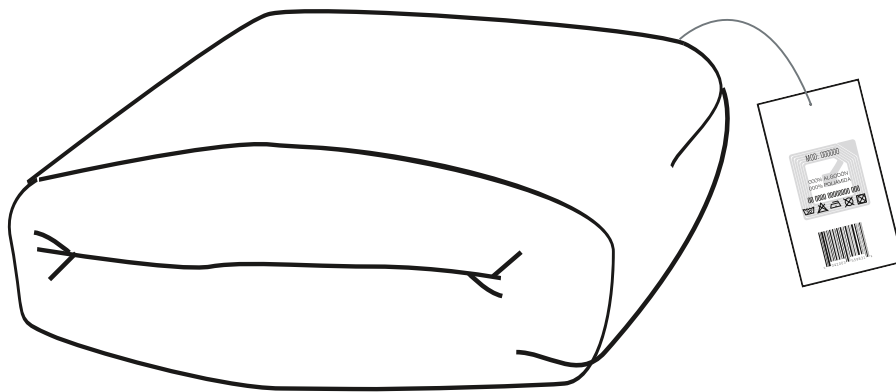
All rights reserved © Checkpoint Systems Inc. Thorofare, USA 2010.
All information and illustrations are intellectual property of Checkpoint Systems Inc.
Any copying, reprinting, manipulating or publishing in part or in whole is strictly prohibited.



DUVETS



FIT TAG



For any questions regarding this or any other labelling process contact your local Checkpoint representative.

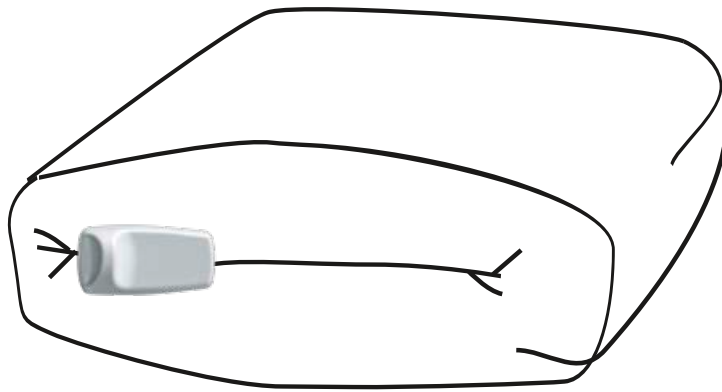
All rights reserved © Checkpoint Systems Inc. Thorofare, USA 2010.
All information and illustrations are intellectual property of Checkpoint Systems Inc.
Any copying, reprinting, manipulating or publishing in part or in whole is strictly prohibited.





DUVETS

HARD TAG



For any questions regarding this or any other labelling process contact your local Checkpoint representative.

All rights reserved © Checkpoint Systems Inc. Thorofare, USA 2010.
All information and illustrations are intellectual property of Checkpoint Systems Inc.
Any copying, reprinting, manipulating or publishing in part or in whole is strictly prohibited.

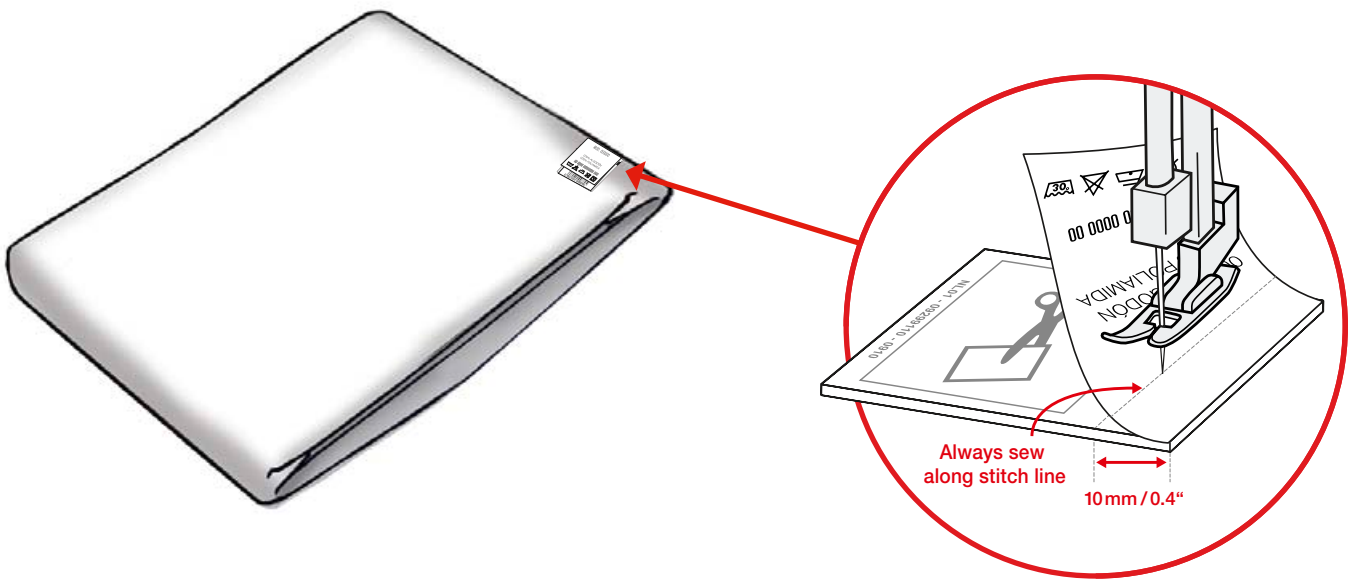




BED LINEN / TABLE LINEN

POCKET TAG

Pocket Tags should be sewn in together with the care label.



For any questions regarding this or any other labelling process contact your local Checkpoint representative.

All rights reserved © Checkpoint Systems Inc. Thorofare, USA 2010.
All information and illustrations are intellectual property of Checkpoint Systems Inc.
Any copying, reprinting, manipulating or publishing in part or in whole is strictly prohibited.





Enhanced Performance

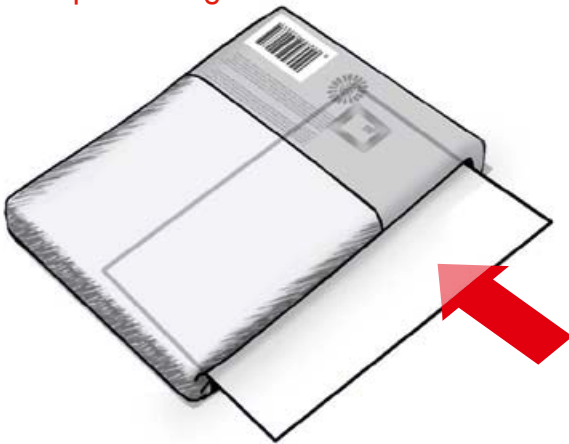
BED LINEN / TABLE LINEN

RF ADHESIVE LABELS

- Always place RF Labels on dry, clean, flat surfaces.
- When using RF Labels, they should ideally be placed behind the barcode position on product packaging and never more than 10 cms / 4" away from the barcode.
- RF Labels should not be placed on metallic surfaces.

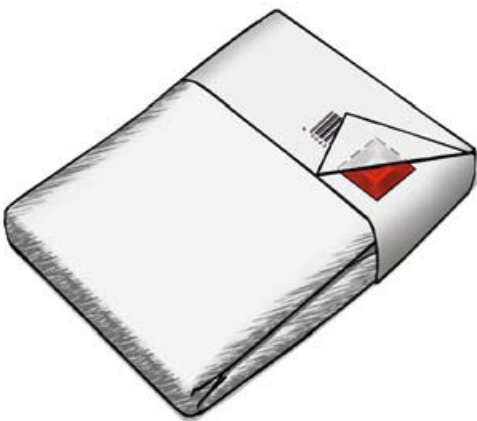
Home Textile products can be protected both inside and on the exterior of their packaging.

Label positioning



Checkpoint recommends that any bed or household linen be protected in the interior of the packaging placing the label on the central carton support of the product used to give form to the cloth.

RF Labels never more than 10 cms / 4" from barcode.



Alternatively the label can be placed behind the packaging that represents the product description.

For any questions regarding this or any other labelling process contact your local Checkpoint representative.



Enhanced Performance

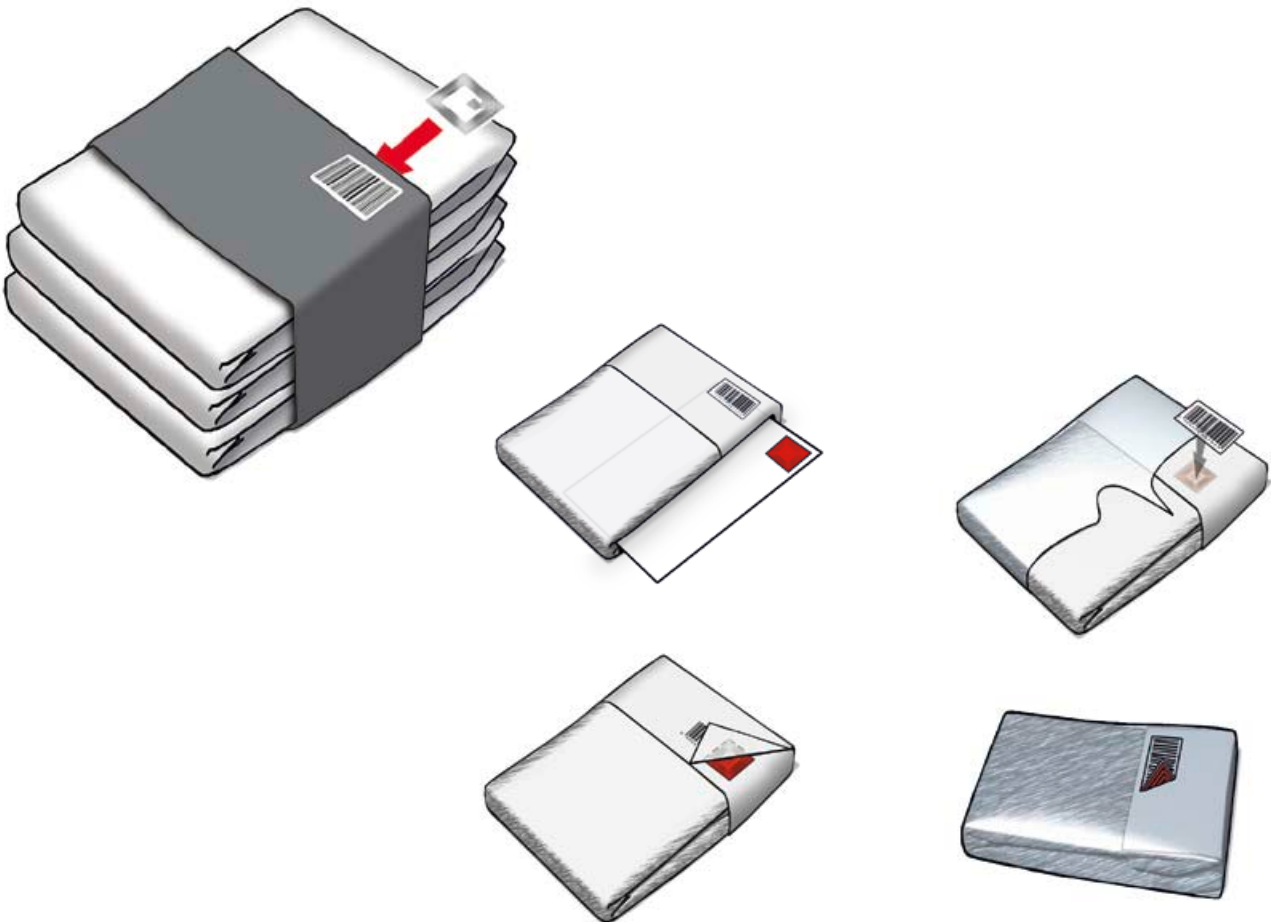
BED LINEN / TABLE LINEN

SETS

- For SETS with one price ticket, typically only one RF labelling solution should be used. e.g. one Pocket Tag, OR one Hard Tag etc.
- If the requirement is for both garments to be tagged, please specify.

RF ADHESIVE LABELS

- Always place RF Labels on dry, clean, flat surfaces.
- When using RF Labels, they should ideally be placed behind the barcode position on product packaging and never more than 10 cms / 4" away from the barcode.
- RF Labels should not be placed on metallic surfaces.



For any questions regarding this or any other labelling process contact your local Checkpoint representative.

All rights reserved © Checkpoint Systems Inc. Thorofare, USA 2010.
All information and illustrations are intellectual property of Checkpoint Systems Inc.
Any copying, reprinting, manipulating or publishing in part or in whole is strictly prohibited.



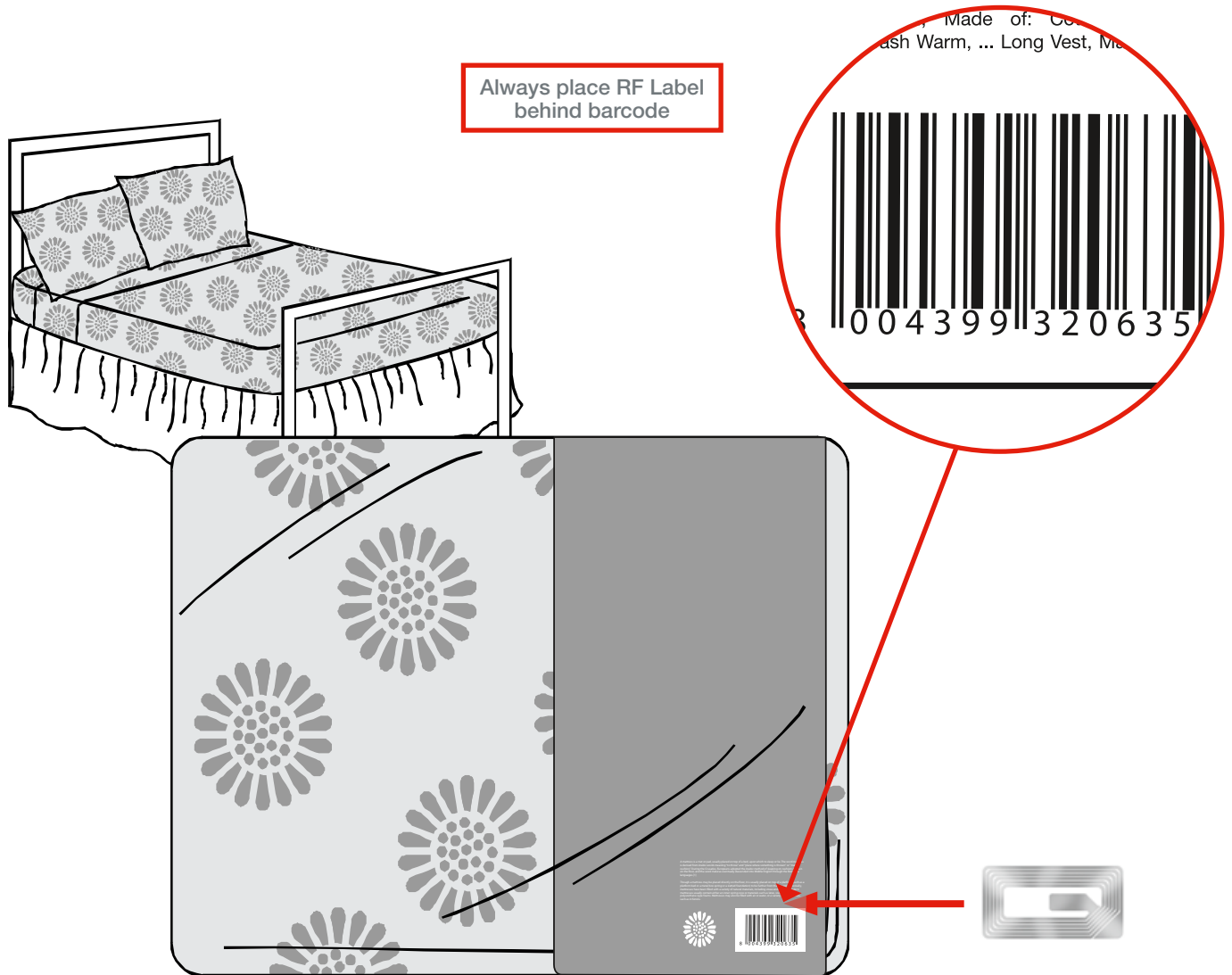


Enhanced
Performance

MATTRESSES / CARPETS

RF LABELS

- Always place RF Labels on dry, clean, flat surfaces.
- When using RF Labels, they should ideally be placed behind the barcode position on product packaging and never more than 10 cms / 4" away from the barcode.
- RF Labels should not be placed on metallic surfaces.



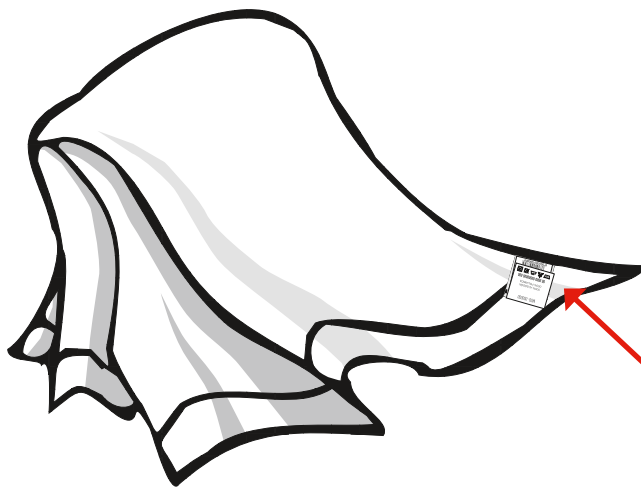
For any questions regarding this or any other labelling process contact your local Checkpoint representative.



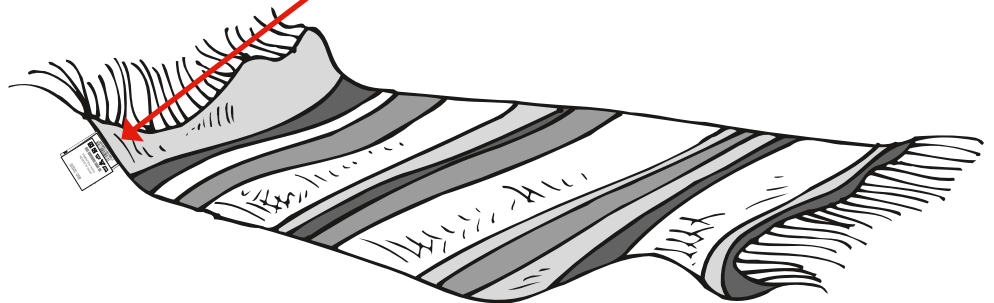
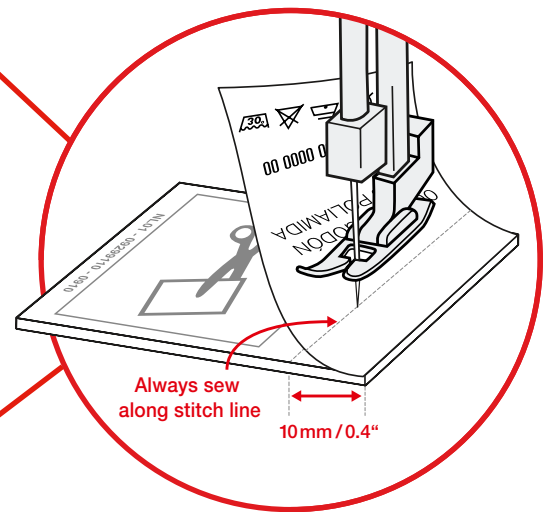
Enhanced Performance

TOWELS / RUGS

POCKET TAG



Pocket Tags should be sewn in together with the care label.



For any questions regarding this or any other labelling process contact your local Checkpoint representative.

All rights reserved © Checkpoint Systems Inc. Thorofare, USA 2010.
All information and illustrations are intellectual property of Checkpoint Systems Inc.
Any copying, reprinting, manipulating or publishing in part or in whole is strictly prohibited.

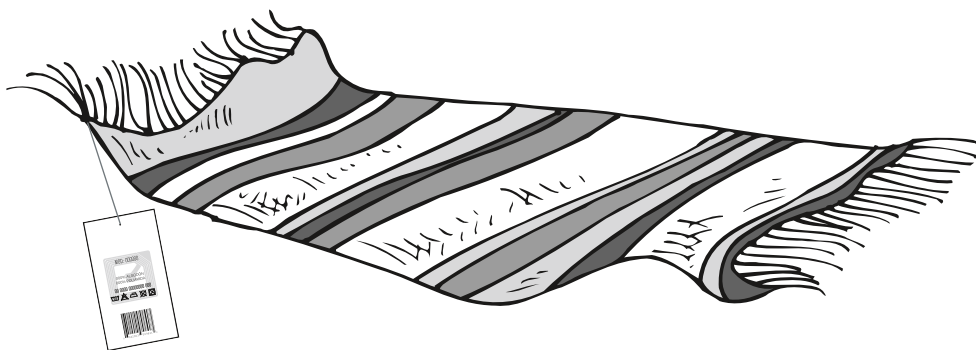
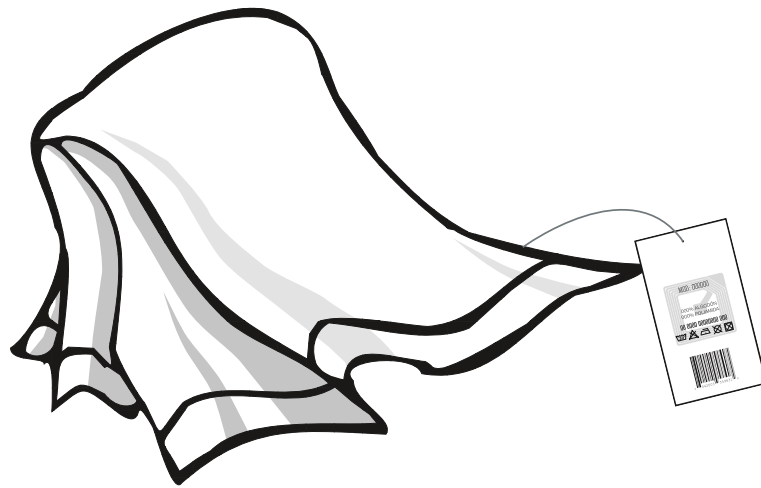




Enhanced
Performance

TOWELS / RUGS

FIT TAG



For any questions regarding this or any other labelling process contact your local Checkpoint representative.

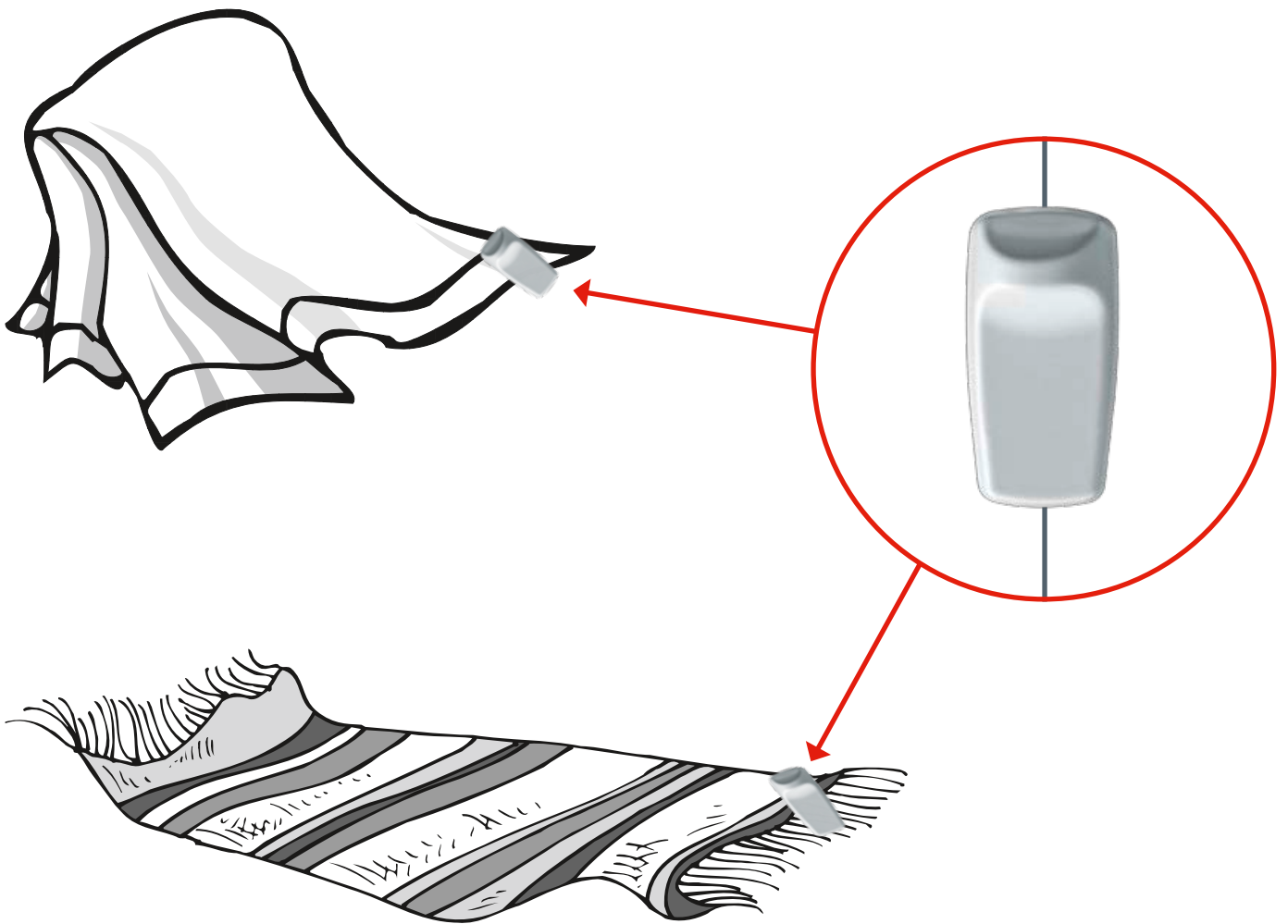
All rights reserved © Checkpoint Systems Inc. Thorofare, USA 2010.
All information and illustrations are intellectual property of Checkpoint Systems Inc.
Any copying, reprinting, manipulating or publishing in part or in whole is strictly prohibited.





TOWELS / RUGS

HARD TAG



For any questions regarding this or any other labelling process contact your local Checkpoint representative.

All rights reserved © Checkpoint Systems Inc. Thorofare, USA 2010.
All information and illustrations are intellectual property of Checkpoint Systems Inc.
Any copying, reprinting, manipulating or publishing in part or in whole is strictly prohibited.



Checkpoint Systems is a global leader in shrink management, merchandise visibility and apparel labelling solutions. Checkpoint partners with retailers and their suppliers to reduce shrink, increase shelf availability, ensure labelling consistency and achieve operational excellence. Checkpoint's solutions enable retailers to enhance the shopping experience for consumers, and grow their businesses profitably.

Electronic Article Surveillance



Solutions @ Source



High-Theft Solutions



Shrink Management Software



Merchandise Visibility



Apparel Labelling Solutions



Video, Alarm and Monitoring Services



Retail Merchandising Solutions

CONTACT
Solutions_Source@checkpt.com

